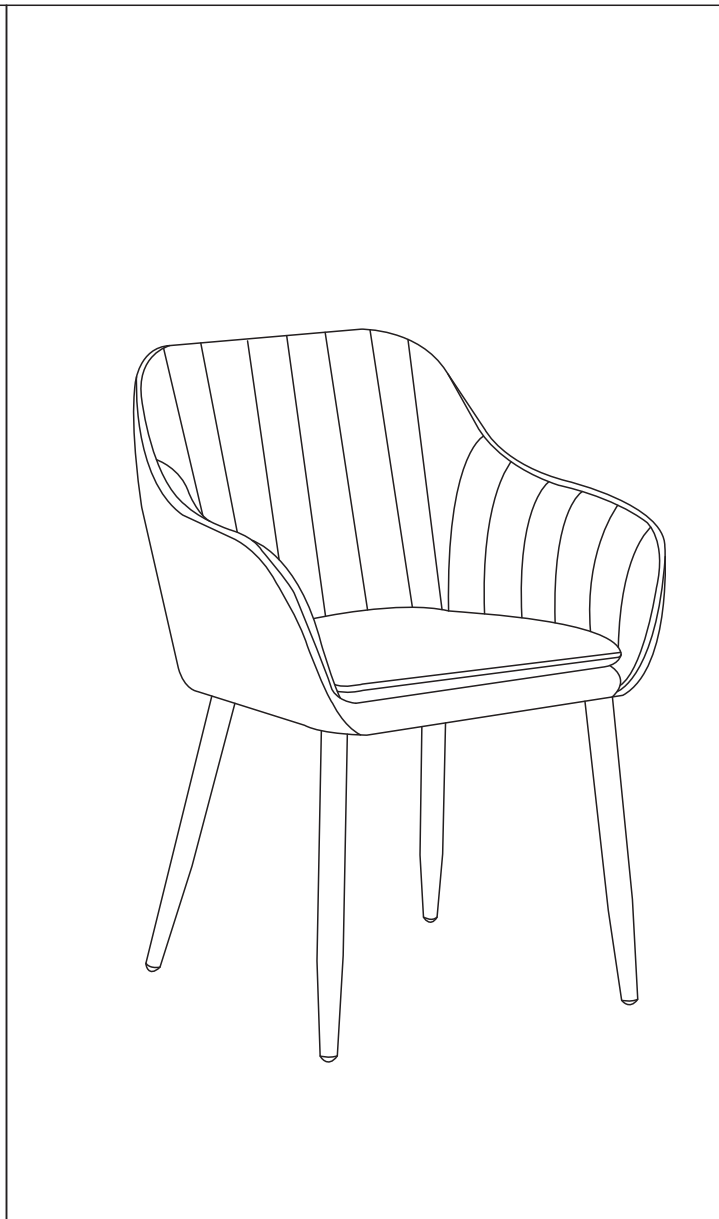
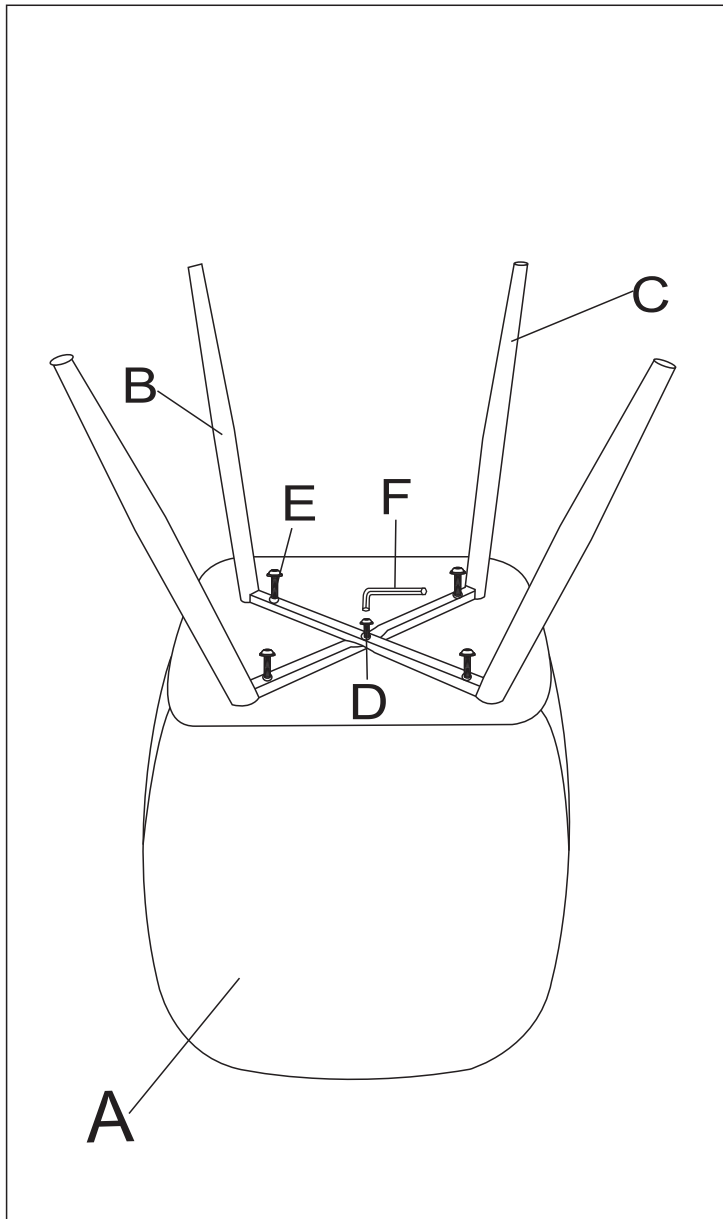
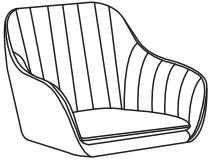
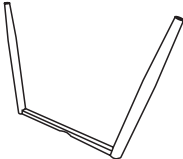
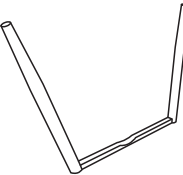
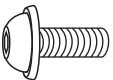
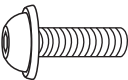
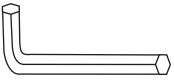


ASSEMBLE PICTURE

MODEL NO:22A08



| | | |
|---|---|---|
| A |  | 1 |
| B |  | 1 |
| C |  | 1 |
| D |  6x20 | 1 |
| E |  6x35 | 4 |
| F |  | 1 |